

## Top Inox FL

Brushed finish tank on the left

Rangetop and Top inox

Code: 3589 002



### DETAILS

Material	AISI 304 stainless steel
Texture	Brushed in line
Dimensions	2400x600 mm
Full description	Top stainless FL - 2400x600 - thickness 20 mm
Heating element	Five burners
Mixer holes	2 standard holes
Drainer	No
Grids	Cast iron grids and enamelled burner covers
Bowl dimension	720x320mm

Number of bowls 1 bowl

---

Waste fitting Drain with automatic PM control

---

Total power 10.500 W

---

Auxiliary 2x1.000 W

---

Semirapid 2x1.750 W

---

Dual 5.000 W

---

Safety Safety valve with quick-acting thermocouple

---

Ignition Electric ignition under knob

---

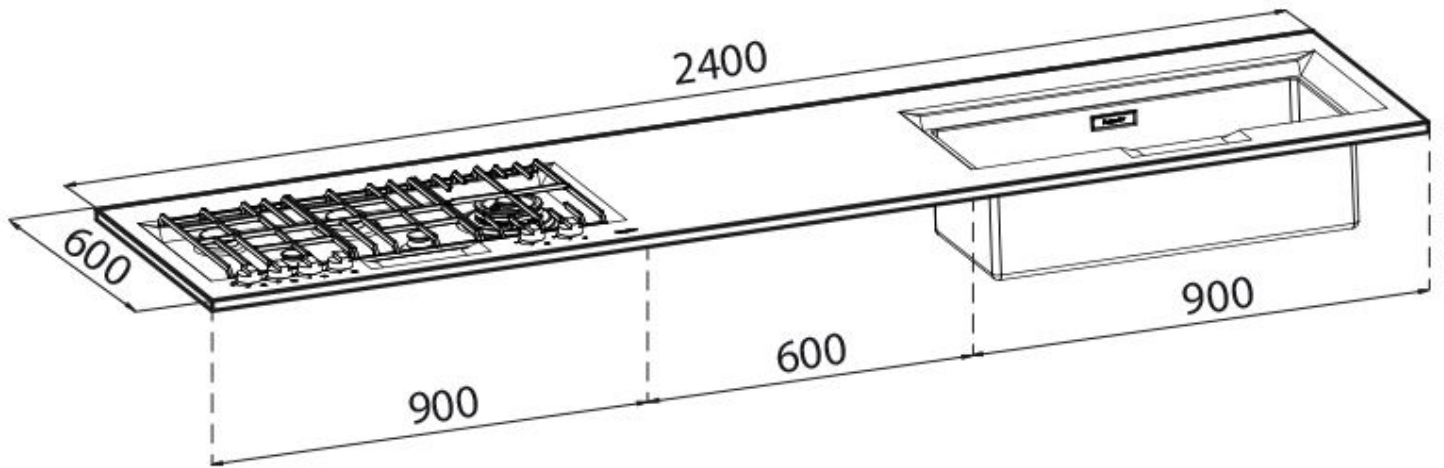
Gas type Tested for installation with natural gas, LPG nozzle set included.

---

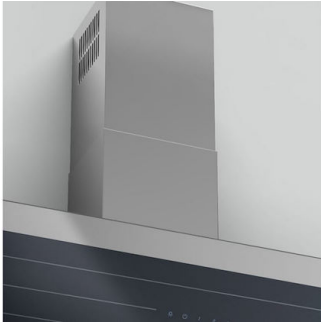
Type Gas Hob

---

## TECHNICAL DATA



## OPTIONAL ACCESSORIES



**\_telescopic chimney kit**  
2454 000



**Casper**  
8000 014